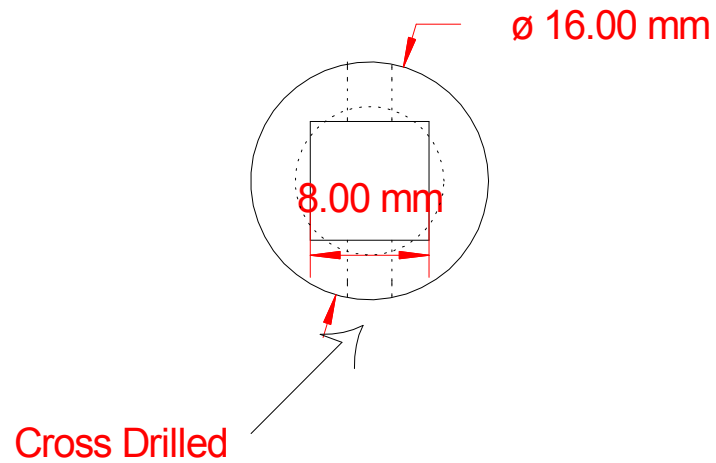
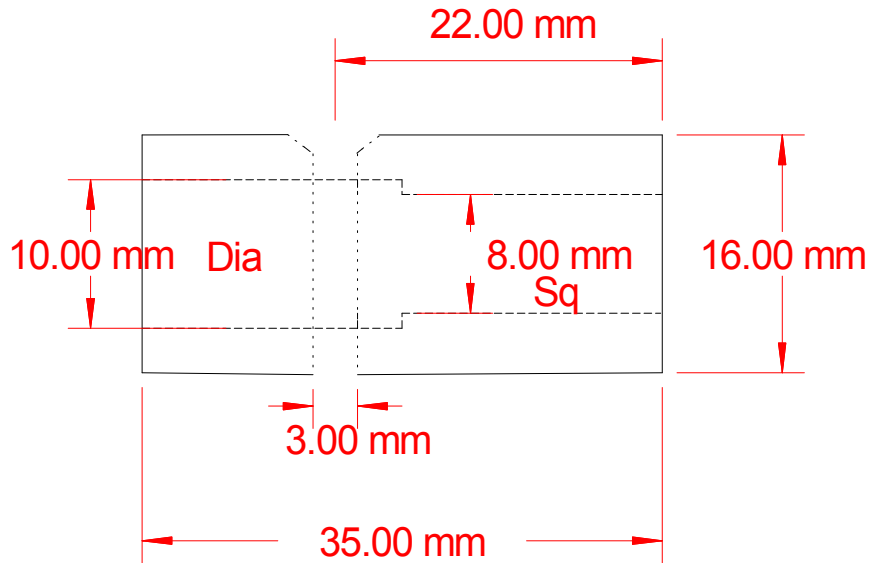



MT22A

8mm Sq to 10mm Round Rod Adaptor



			Title Hopkins Blinds 8m sq to 10m round adaptor		
Drawing No. MT22A		Revision A	Scale NTS		
<small>THIS DOCUMENT IS THE PROPERTY OF HOPKINS BLIND & SHUTTER FITTINGS LTD. THIS DOCUMENT AND ANY INFORMATION CONTAINED HEREIN MAY NOT BE REPRODUCED, USED OR DISCLOSED TO ANY THIRD PARTY WITHOUT THE EXPRESS WRITTEN PERMISSION OF THE OWNER.</small>					
File \\HOPDC00\Documents\Drawings\Alex\WH0755.SKF					
Drawing Status PROD		Drawn By BA	Approved By		
		Date 30/07/13	Date		
Notes					
Zinc Plated Mild Steel					